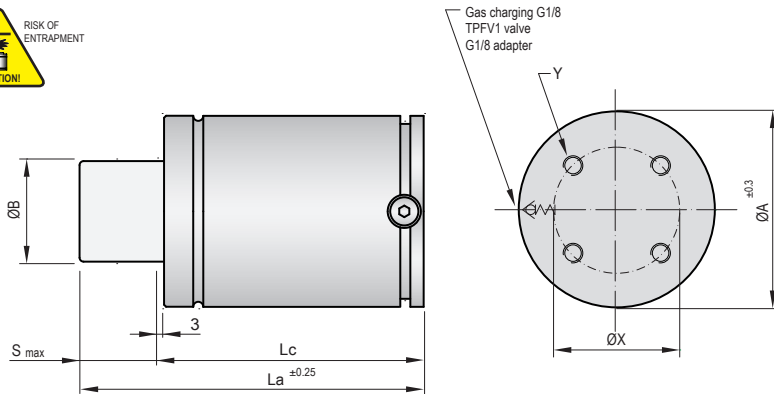


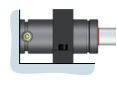
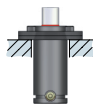
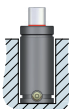


Code	Smax mm	La mm	Lc mm	Fa daN	Fc daN	P Bar	Ø A mm	Ø B mm	Ø X mm	Y
TPSRS 3000x100.1	100	320	220	3000 ±5% (20°C)	≈ 4340	150 (20°C)	95	50	60	4 x M8
TPSRS 3000x125.1	125	370	245							
TPSRS 3000x160.1	160	440	280							
TPSRS 3000x200.1	200	520	320							
TPSRS 3000x250.1	250	620	370							
TPSRS 3000x300.1	300	720	420							
TPSRS 5000x100.1	100	340	240	5000 ±5% (20°C)	≈ 8115	120	65	80	4 x M10	
TPSRS 5000x125.1	125	390	265							
TPSRS 5000x160.1	160	460	300							
TPSRS 5000x200.1	200	540	340							
TPSRS 5000x250.1	250	640	390							
TPSRS 5000x300.1	300	740	440							
TPSRS 7500x100.1	100	355	255	7500 ±5% (20°C)	≈ 12150	150	80	100	4 x M10	
TPSRS 7500x125.1	125	405	280							
TPSRS 7500x160.1	160	475	315							
TPSRS 7500x200.1	200	555	355							
TPSRS 7500x250.1	250	655	405							
TPSRS 7500x300.1	300	755	455							



NOTE: These gas-springs could not have synchronized return speed.

### Assembly possibilities



### TPSRS

### TPNS

### TPHT

